

SANITARY SOLUTIONS^{INC.}

Bulldog Valves...Bulldog Tough.TM

T316L Four Position Clamp End Butterfly Valves



T316L/ Clamp Ends



(ABS) Black Ball/100% Tested



(4) Positions for Throttling



Silicone, EPDM or Viton[®] Seats

Features of the Four Position Clamp End Butterfly Valves:

Silicone Seat (standard) EPDM and Viton[®]

Handle interchangeable to either side

Field Serviceable

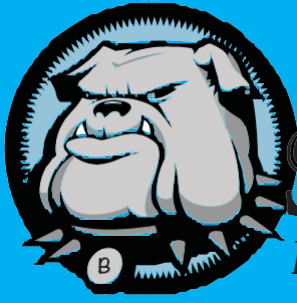
Operating temperature: 15°F to 195°F

Sanitary polished to a 32Ra or better on all wetted surfaces

100% Hydraulic Pressure Tested

Repair Kits available consisting of seat and bushings

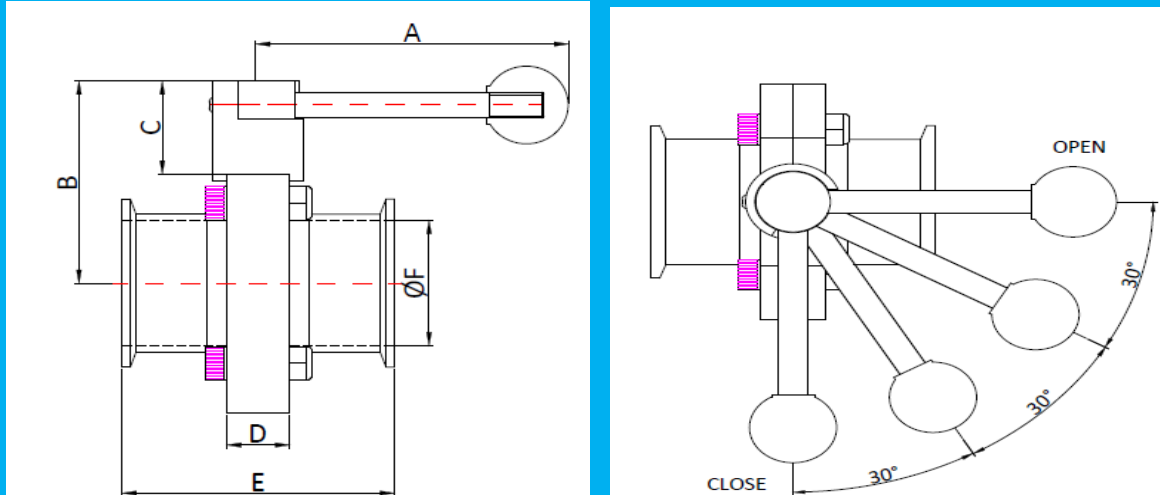
No Expediting Charges/Same Day Shipping



SANITARY SOLUTIONS INC.

Bulldog Valves...Bulldog Tough.™

T316L Four Position Clamp End Butterfly Valve Dimensions



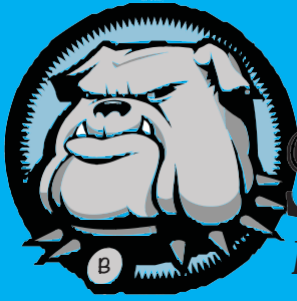
Information below is based on ambient temperature or 68°F

Tube OD Size	<u>A</u>	<u>B</u>	<u>C</u>	<u>D</u>	<u>E</u>	<u>F</u>	Break Torque (in lbs.)Silicone	<u>PSI</u>	<u>(CV)</u>
1"	4.409"	2.799"	1.358"	0.866"	3.512"	0.874"	20	140	23
1.5"	4.409"	2.799"	1.358"	0.866"	3.512"	1.370"	40	140	80
2"	4.409"	3.098"	1.358"	0.866"	3.780"	1.870"	55	140	230
2.5"	4.409"	3.500"	1.358"	0.866"	3.827"	2.370"	70	110	264
3"	6.221"	3.799"	1.339"	1.181"	4.134"	2.866"	165	110	372
4"	6.221"	4.500"	1.339"	1.181"	4.819"	3.830"	350	85	800
6"	11.02"	5.382"	1.406"	1.181"	5.512"	5.780"	700	60	1200
8"	17.64"	6.811"	1.406"	1.181"	4.882"	7.782"	N/A	60	2800

"Four Position Butterfly Valve" PART NUMBER EXAMPLE WHEN ORDERING:

SSBFVF-SIZE-316L

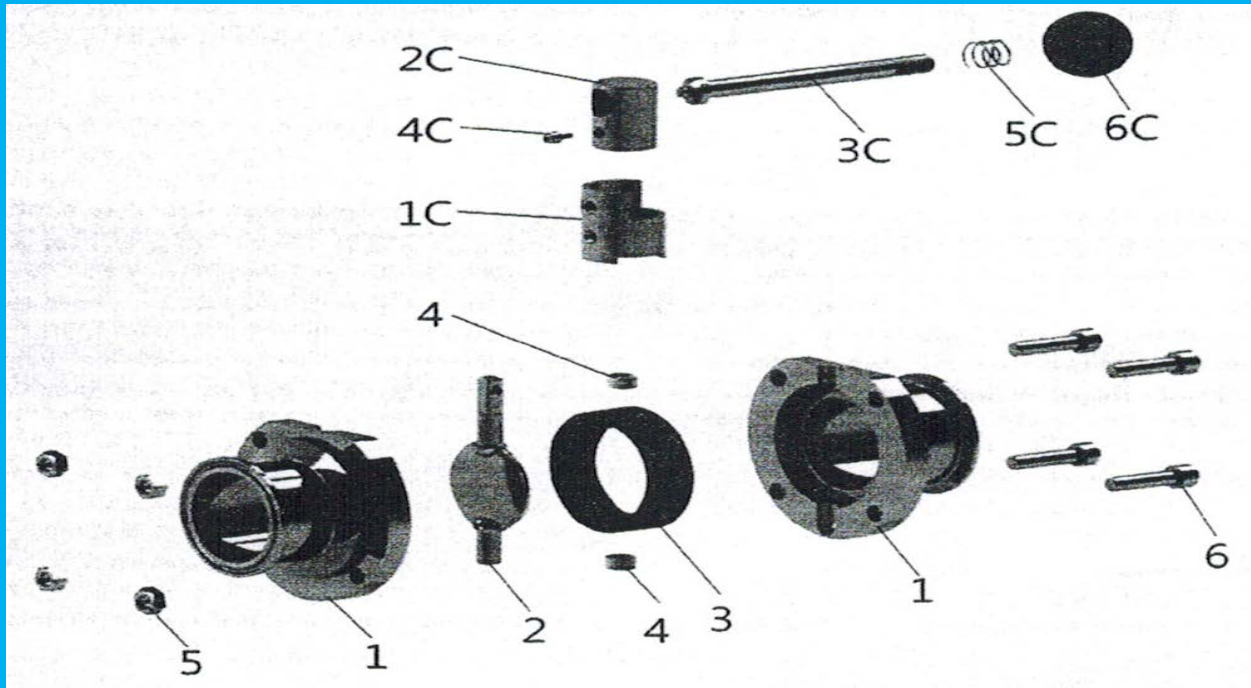
www.sanitarysolutionsinc.com



SANITARY SOLUTIONS INC.

Bulldog Valves...Bulldog Tough.™

T316L Four Position Clamp End Butterfly Valve Material List



Item	Description	Material	Quantity
Pull Handle			
1C	hub housing	CF8	1
2C	hub	CF8	1
3C	handle shaft	304	1
4C	hex socket screw	304	1
5C	spring	304	1
6C	knob	polymer	1
Valve			
1	body	316L	2
2	disc	316L	1
3	seat	silicone	1
		EPDM	
		FKM	
4	bushing	polyacetal	2
5	hex nut	304	4
6	bolt	304	4
6W	optional wing nut	304	4