



# SANITARY SOLUTIONS<sup>INC.</sup>

*Bulldog Valves...Bulldog Tough.<sup>TM</sup>*

## **(HOT) High Temperature/Pressure Clamp End Ball Valve**



### **Features:**

**Sizes: 1/2"–4" (T316L)**

**25% Carbon + 75% PTFE—For Higher Temperatures/Pressure Applications and a higher cycle life than PTFE or RTFE.**

**ISO 5211 Mount Pad**

**Blow-out Proof Stem**

**Lockable Handle**

**320 Grit ID/180 Grit OD**

**Full Port Design**

**Live-loaded Stem Packing**

**Cavity Filled Seat /Three Piece Design for Field Service**

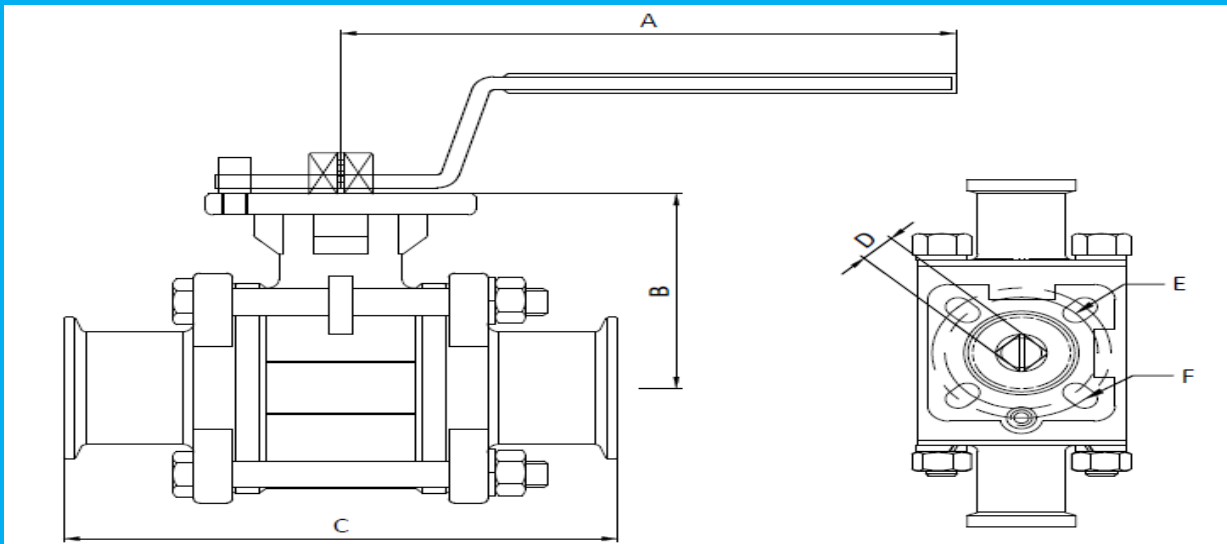
[www.sanitarysolutionsinc.com](http://www.sanitarysolutionsinc.com)



# SANITARY SOLUTIONS INC.

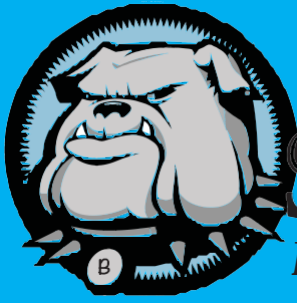
*Bulldog Valves...Bulldog Tough.™*

## **(HOT) High Temperature/Pressure Ball Valve Dimensions**



<u>Size</u>	<u>A</u>	<u>B</u>	<u>C</u>	<u>D</u>	<u>E</u>	<u>F</u>	<u>CV</u>
1/2"	4.900"	1.500"	4.300"	0.354"	F03	F04	8
3/4"	4.764"	1.800"	4.700"	0.354"	F03	F04	29
1"	5.394"	2.100"	4.900"	0.433"	F04	F05	66
1.5"	7.165"	2.700"	5.600"	0.551"	F05	F07	192
2"	7.165"	3.100"	6.400"	0.551"	F05	F07	434
2.5"	14.57"	3.800"	7.800"	0.669"	F07	F10	723
3"	14.57"	4.200"	9.000"	0.669"	F10	F12	1124
4"	15.75"	5.300"	9.500"	0.866"	F10	F12	2100

[www.sanitarysolutionsinc.com](http://www.sanitarysolutionsinc.com)

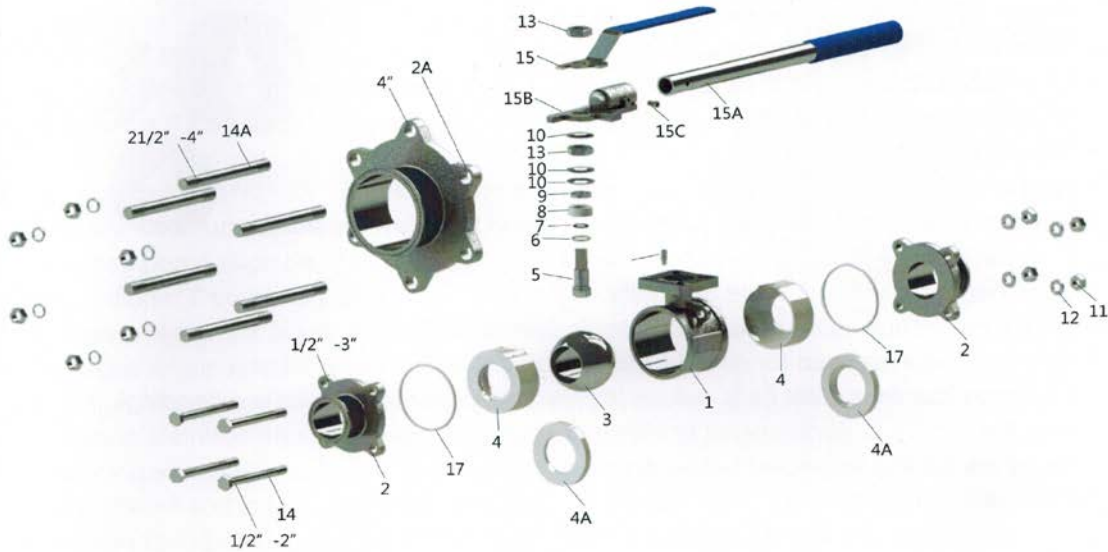


# SANITARY SOLUTIONS INC.

*Bulldog Valves...Bulldog Tough.™*

## **(HOT) High Temperature Ball Valve Product Breakdown**

### Material List



Item	Description	Material	Quantity			
			1/2" - 2"	2 1/2"	3"	4"
1	body	CF8M	1	1	1	1
2	end ( 4-bolt)	CF8M	2	2	2	n/a
2A	end ( 6-bolt)	CF8M	n/a	n/a	n/a	2
3	ball	CF8M	1	1	1	1
4	seat ( encapsulated)	V, G, C, S, U	2	2	2	2
4A	seat ( non-encapsulated)	V, G, C, S, U	2	2	2	2
5	stem	316	1	1	1	1
6	thrust washer	V, G, C, S, U	1	1	1	1
7	O-ring	FKM	1	1	1	1
8	stem packing	V, G, C, S, U	3	3	3	3
9	gland ring	316	1	1	1	1
10	bevel washer	304	3	3	3	3
11	hex nut	304	4	4	8	12
12	bolt washer	304	4	4	8	12
13	nut	304	2	2	2	2
14	bolt	304	4	4	n/a	n/a
14A	bolt ( double thread)	304	n/a	n/a	4	6
15	handle	304 / Vinyl	1	n/a	n/a	n/a
15A	handle (rod)	304 / Vinyl	n/a	1	1	1
15B	handle head	304	n/a	1	1	1
15C	handle nut	304	n/a	1	1	1
16	stop pin	316	1	1	1	1
17	body seal	V, G, C, S, U	2	2	2	2



# SANITARY SOLUTIONS INC.

*Bulldog Valves...Bulldog Tough.™*

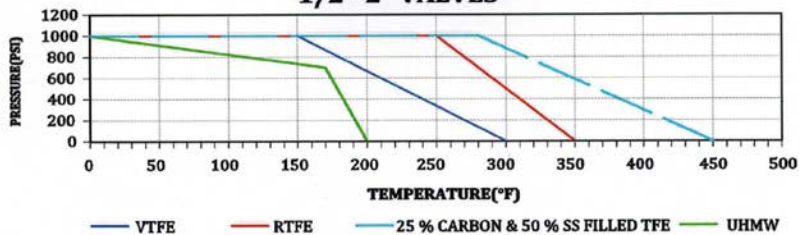
## **(HOT) High Temperature Ball Valve Seat Materials/Charts**

### Seat Materials for Ball Valves

Description	Material	Applications
Virgin PTFE	Virgin Polytetrafluoroethylene	100% PTFE ANSI standard seat material. Ideal for most of the sanitary solutions. Specified for applications that require a low-efficient of friction.
	(Food Grade Material)	
RTFE	15% Glass Reinforced Tetrafluoroethylene	15% Glass Filled + 85% PTFE Higher temperature and pressure rating compare to PTFE. Specified for applications that require a highre cycle life than PTFE.
25% carbon PTFE	25% Carbon Reinforced Tetrafluoroethylene	25% Carbon Filled + 75% PTFE Specified for high temperature and pressure applications. Higher cycle life than RTFE. Ideal for steam and thermal fluid applications.
Stainless Steel PTFE	50% Stainless Steel Filled Tetrafluoroethylene	50% Stainless Steel + 50% PTFE Specified for higher temperature and pressure applications in a sanitary process.
	(Food Grade Material)	
UHMW	Ultra-high Molecular Weight Polyethylene	Specified for the low modulus of abrasion and minimal property degradation whne exposed to moderate levels of radiation. Ideal for where fluorocarbons are not acceptable.
	(Food Grade Material)	

### Pressure Temperature Charts

#### 1/2"-2" VALVES



#### 2 1/2"-4" VALVES

