

SANITARY  
SOLUTIONS<sup>INC.</sup>

*Bulldog Valves...Bulldog Tough.<sup>TM</sup>*

**T316L Stationary Spray Ball**



**Features of the T316L Stationary Spray Ball:**

**Multiple spray patterns for your needs**

**Found in the beverage, beer, food and  
pharmaceutical industries**

**Fixed and ready to be placed to a pipe or tube**

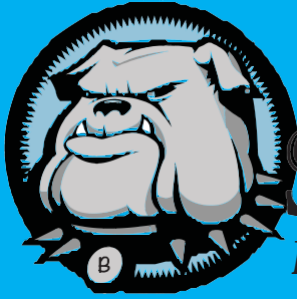
**Spray Pattern: 180°Bottom, 180°Top, 360°**

**T316L/Polished to a Sanitary Finish**

E-Mail Confirmation with Tracking Number to you  
“Live” People Answering your call

**1-888-909-3569 or 1-855-640-7871**

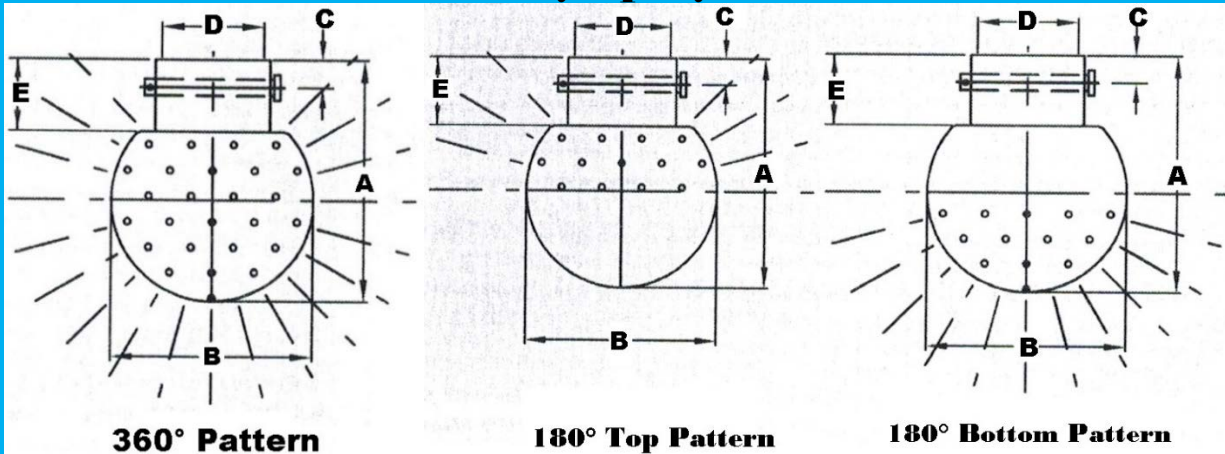
**[www.sanitarysolutionsinc.com](http://www.sanitarysolutionsinc.com)**



# SANITARY SOLUTIONS INC.

Bulldog Valves...Bulldog Tough.<sup>TM</sup>

## T316L Stationary Spray Ball Dimensions



Tube OD Size	Spray Pattern	A	B	C	D	E	Pin Size	Pin Length
1"	180°Bottom	2.95	3.54	.445	1.005	.975	.226	1.47
1.5"	180°Bottom	2.95	3.54	.445	1.005	.975	.226	1.95
1"	360°Pattern	3.04	2.50	.445	1.005	.975	.226	1.47
1.5"	360°Pattern	3.55	2.95	.445	1.005	1.05	.226	1.95
1"	180°Top	2.95	3.54	.445	1.005	.975	.226	1.47
1.5"	180°Top	2.95	3.54	.445	1.005	.975	.226	1.95

**"Stationary Spray Ball" PART NUMBER EXAMPLE WHEN ORDERING:**

**SSSSB-SIZE-Spray Pattern-316L**

### Technical Data

