

SANITARY
SOLUTIONS^{INC.}

Bulldog Valves...Bulldog Tough.TM

T316L Product Recovery Systems



T316L—Sizes 1.5" - 4.00"



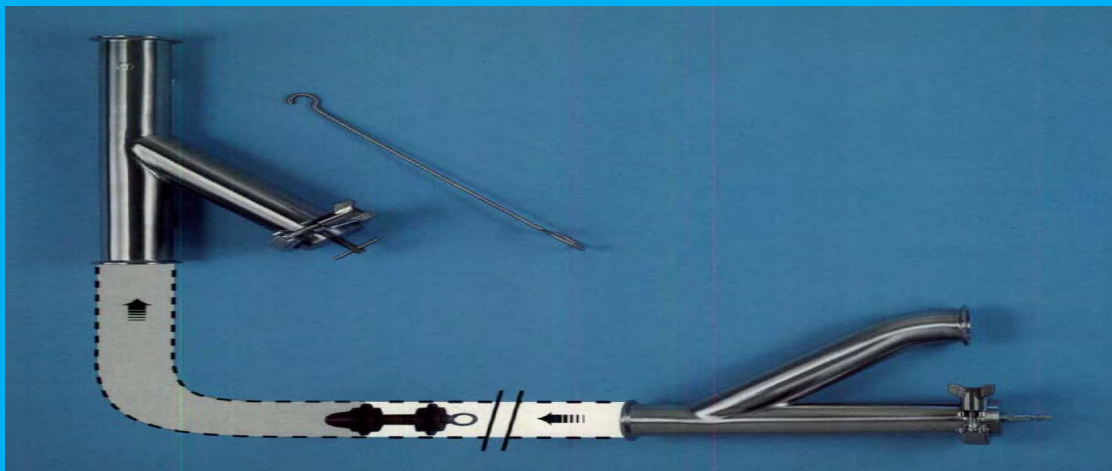
PIG & Retriever Handle

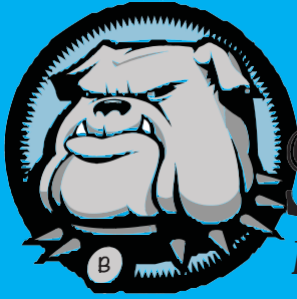


PIG Launcher



Pig Retriever

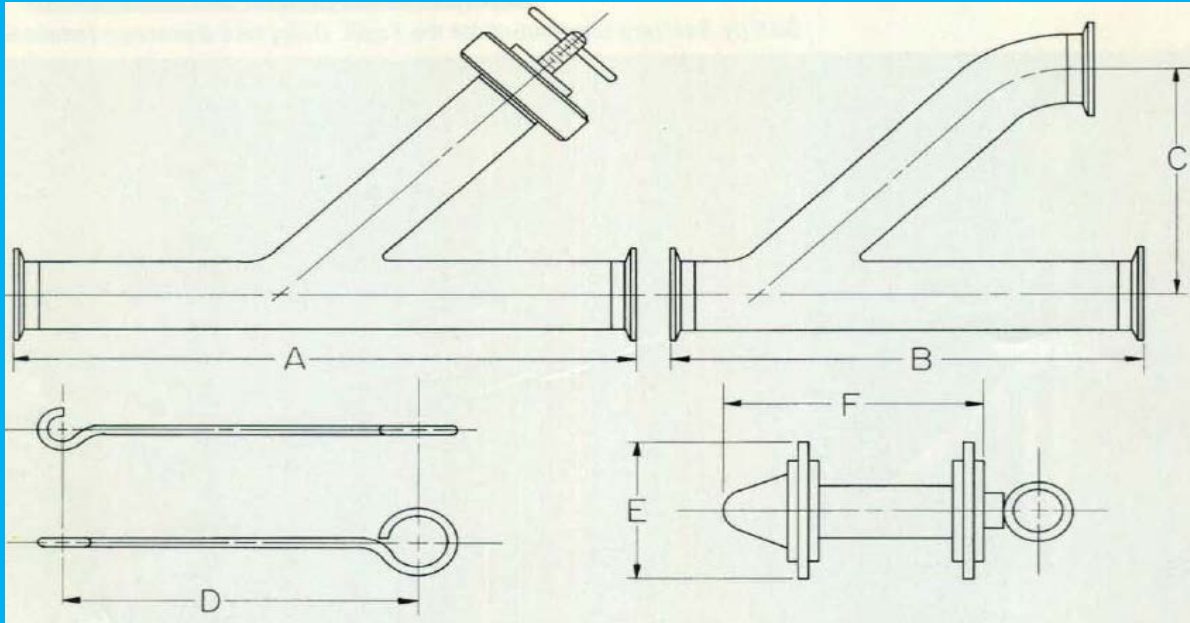




SANITARY SOLUTIONS INC.

Bulldog Valves...Bulldog Tough.TM

T316L Product Recovery Systems



Sanitary Solutions Part #	Tube OD Size	A	B	C	D	E	F
SSPRS-1.5-316L	1.5"	11.69	8.938	5.063	10.50	1.469	2.813
SSPRS-2-316L	2"	13.81	10.38	5.906	11.50	1.968	3.531
SSPRS-2.5-316L	2.5"	16.00	11.66	7.094	12.00	2.425	4.438
SSPRS-3-316L	3"	18.25	12.47	7.563	12.25	2.925	5.625
SSPRS-4-316L	4"	20.50	13.63	9.343	12.25	3.934	6.250

Features:

Handling Viscous Products

Faster Changeovers, Fewer Washouts

A "Pig" that will pass through elbows and tees

Meets all 3A requirements